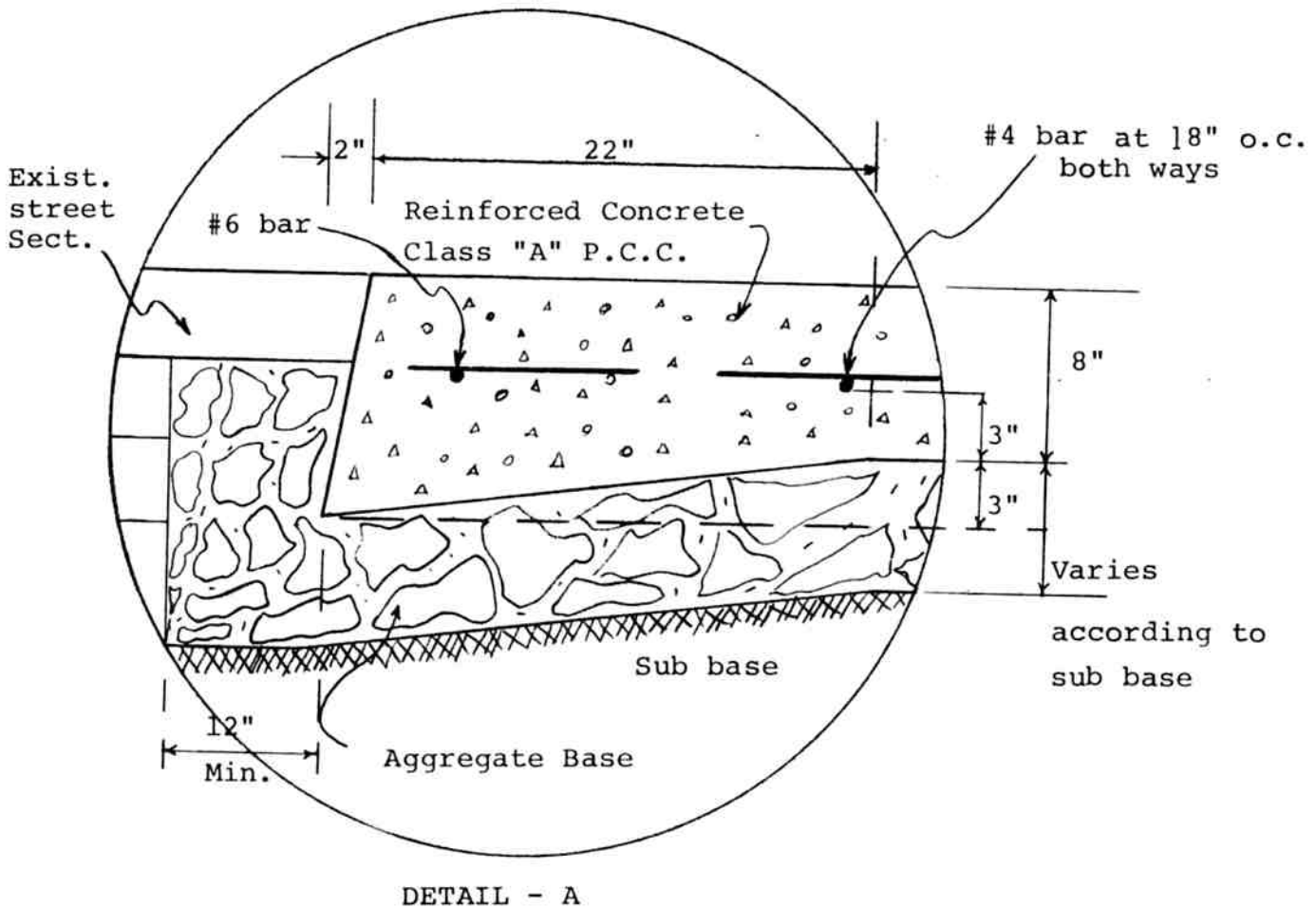
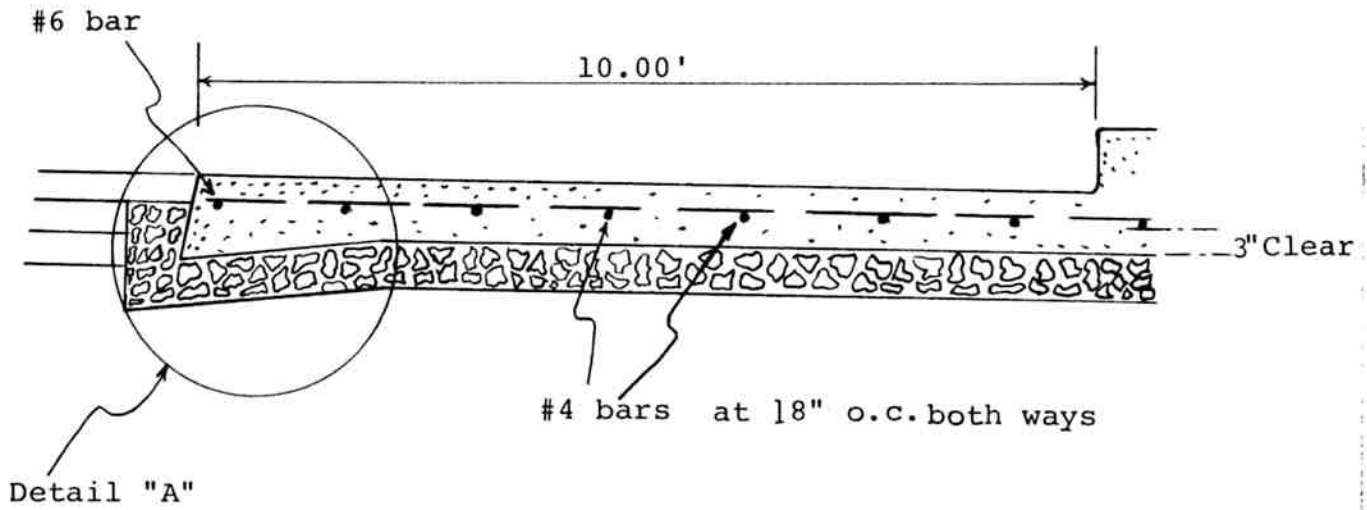


NOTE: ALL FREE EDGES OF BUS PAD TO BE THICKENED AND REINFORCED WITH A #6 BAR.



TRI DELTA TRANSIT

FIGURE E.1.1

REINFORCED CONCRETE BUS PAD